



# Inter collar

Data Sheet v1.0



CableSafe® / Westmark  
[www.cablesafe.com](http://www.cablesafe.com)



+31 (0)33 461 48 44 (NL)  
302-252-8272 (US)



[info@cablesafe.com](mailto:info@cablesafe.com)



# DROPPED OBJECTS PREVENTION

## Inter collar

### FEATURES

- Dropped object protected
- Solid re-usable toe board NO openings

### INSTALLATION

- Installed with clips on grated steel floor
- No need for welding
- Fast installation by hand

### WIDESPREAD SUCCESS

- Standard sizes universal design
- New design based on heavy industrial experience
- Used in many different applications
- The recommended tool for heavy industrial usage

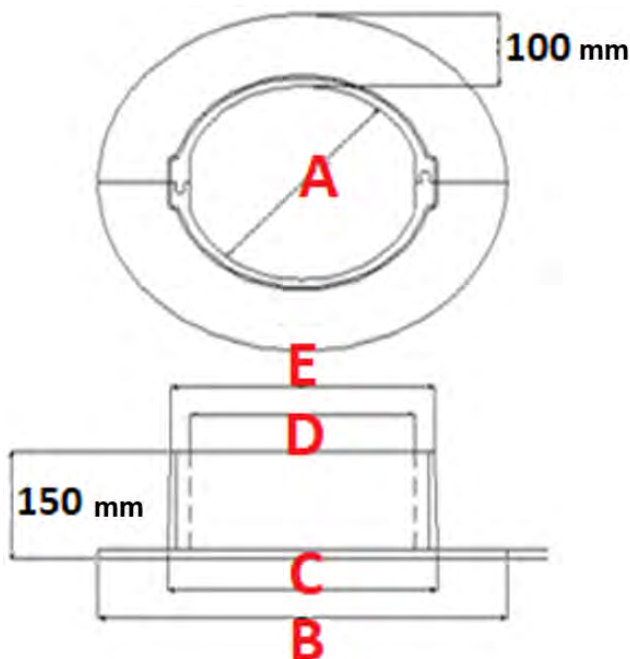
### MATERIAL & WEATHERABILITY

- All weather use [indoor, outdoor, onshore / offshore]
- Non-corrosive - color yellow RAL 1004
- Design in accordance NEN-EN-ISO 14122
- Toxicity in fire is LC 13 in accordance with the LC50 testing method

### Dimensions and layouts

Toe board Intercollar universal applied toeboard is available in 4 standard sizes. Determine the dimension of the pipe (incl. insulation). The recommended clearance between collar and the pipe should be at least 25 mm (or 1 inch). Extenders are available for larger diameter piping, or to host multiple piping structures.

Pipe  $\varnothing$  determines which toe board kick plate size you need



Dimensions [mm]	A	B	C	D	E
CS-DP-050	160	360	200	148	193
CS-DP-100	220	420	260	208	253
CS-DP-150	270	470	310	258	303
CS-DP-300	460	660	500	448	493

Dimensions [Inch]	A	B	C	D	E
CS-DP-050	6.23	14.17	7.87	5.83	7.60
CS-DP-100	8.66	16.54	10.24	8.19	9.96
CS-DP-150	10.63	18.50	12.20	10.16	11.93
CS-DP-300	18.11	25.98	19.69	17.64	19.41

# DROPPED OBJECTS PREVENTION

## Inter collar

### Installation

Inter collar is designed to be installed in situations where a new pipe is being installed or when the grating it is easy to reach from the bottom.

#### Tools needed to install the inter collar

- > Drill
- > Jigsaw
- > Ring spanner

First, slide the two half shells together and measure where the Inter collar should be applied.

Then cut a hole with the jigsaw. After that, measure where the holes for the bolts must be drilled. Use a 10mm drill.

Drill 10 mm / 0.39 inch holes in the collar. Do not drill holes with the centres further than 68 mm / 2.68 inch from each other or closer than 21 mm / 0.83 inch.

The collar is placed on the grating with F-clips tightened with a ring spanner.



> Toe board height



> Material thickness

	mm	Inch
<b>Toe board height</b>	150	5.91
<b>Material thickness</b>	12	0.47
<b>Flange max <math>\varnothing</math></b>	100	3.94
<b>Extender <math>\varnothing</math> (CS-DP-X)</b>	150	5.91

# OUR WORK AREA



*Subsidiary*  
Draper, Utah, USA  
**Westmark LLC**



*Main office / HQ*  
Leusden, The Netherlands  
**Westmark B.V.**